



Technical Information

► How to adjust and clean the coffee outlet V2?

TI-141

| | | | | | | |
|-------------------|-----------|-------------|----------------|---------|--------|---------|
| Information type: | ✓ Service | ✗ Update | ✗ General | ✗ Other | | |
| Machines: | ✓ Cameo | ✓ Enigma | ✗ E'line | ✗ Other | | |
| Module: | ✗ Brewing | ✗ Hydraulic | ✗ Grinder | ✗ Steam | ✗ Milk | ✓ Other |
| Compatibility: | ✗ Full | ✗ Partially | ✗ Incompatible | ✓ Other | | |

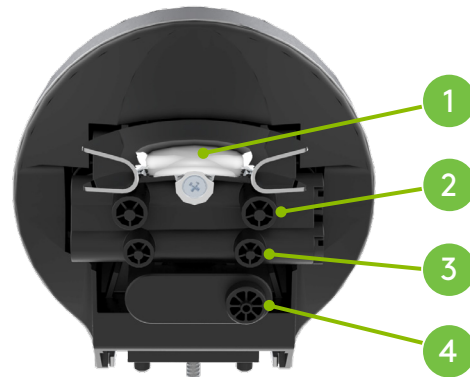
Outlet description

It is possible to adjust the:

1. Coffee outlet flow rate
2. Milk outlet flow rate
3. Hot water outlet flow rate (Americano)

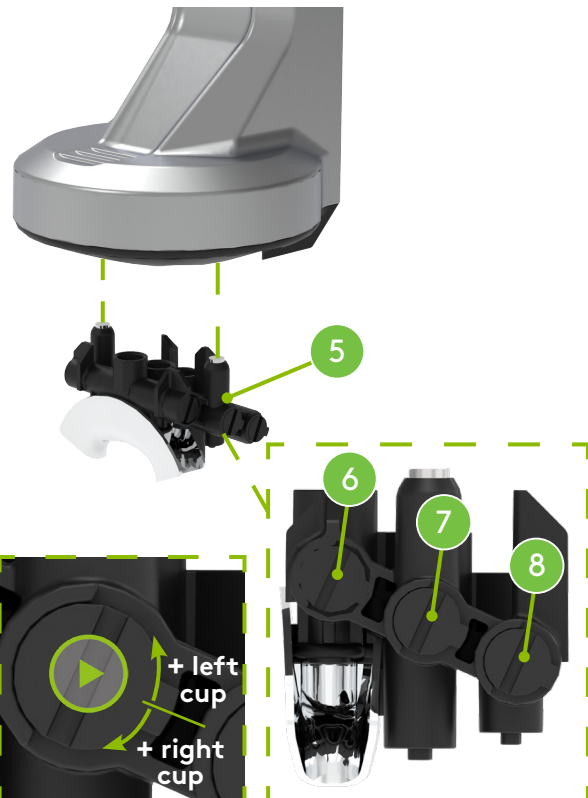
It is not possible to adjust the:

4. Choco outlet flow rate



How to adjust the coffee outlet flow rate (1)

- Place two empty cups under the outlet.
- Select a coffee for two cups.
- Wait for the products to complete.
- Compare the two cups.
- If incorrectly adjusted, remove the outlet (5) and act on the screw (6):
 - Clockwise: increase the flow rate on the right cup.
 - Counter clockwise: increase the flow rate on the left cup.
- Gently reassemble the outlet (5) and test again.



For the milk outlet (2) and the hot water outlet (3), it is not necessary to remove the complete outlet (5). The screws (7) and (8) are accessible.

To adjust the milk outlet (2), select milk only for two cups and act on the screw (7).

To adjust the hot water outlet (3), first make sure that the coffee outlet (1) is adjusted, select an Americano product and act on the screw (8).



Technical Information

► How to adjust and clean the coffee outlet V2?

TI-141

How to clean the coffee outlet

- Switch off the machine at the main switch.
- Gently pull down to remove the outlet (5).
- Clean with soft soap under clean water.
- Gently reassemble in the reverse order.



If you have the optional C'choco module ensure to clean the choco outlet (4).

